


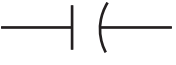
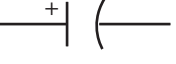

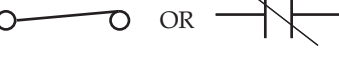





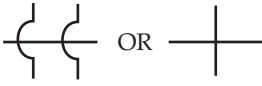
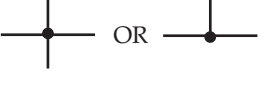

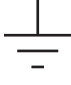
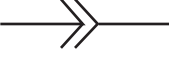

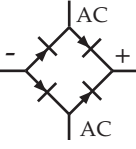




Electrical Technology

Technical Drawing




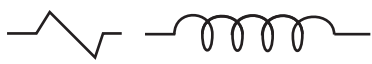






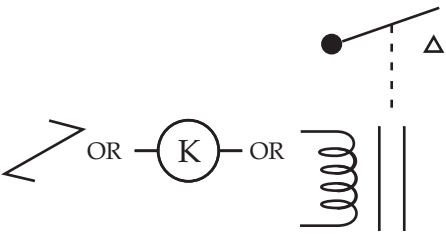
Electrical Symbols

COMPONENT	SYMBOL
AMMETER	
BATTERY (LONG LINE IS ALWAYS POSITIVE)	
SINGLE CELL	
MULTICELL	
CAPACITOR FIXED	
POLARIZED	
CIRCUIT BREAKER	
CONTACTS CLOSED (BREAK)	 OR 
OPEN (BREAK)	 OR 

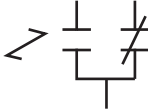
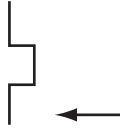
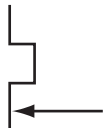




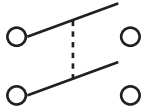
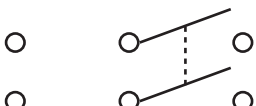
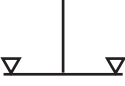
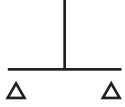
Electrical Symbols

COMPONENT	SYMBOL
CROSS, NO CONNECTION	
CONNECTION	
CONNECTION, CHASSIS (GROUND)	
CONNECTION, EARTH GROUND	
CONNECTOR	
DIODE, SEMICONDUCTOR	
FULL-WAVE, BRIDGE-TYPE RECTIFIER	
FUSE	
AC GENERATOR	
DC GENERATOR	
HEATER	

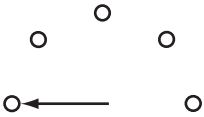
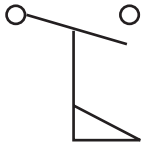
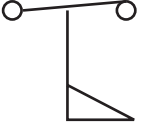
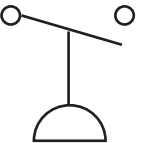
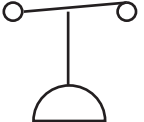
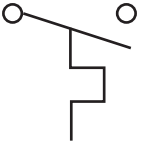
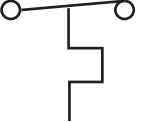


Electrical Symbols

COMPONENT	SYMBOL
IGNITORS SPARK IGNITOR, GROUNDED	
SPARK IGNITOR, UNGROUNDED	
GLOW COIL; GLOW BAR; HOT WIRE	
INDUCTOR (COIL)	
INDUCTOR (SOLENOID)	
LAMP	
MOTOR, AC	
MOTOR, DC	
OHMMETER	
PIEZOELECTRIC CRYSTAL UNIT	
RELAY BASIC OPERATING COIL	



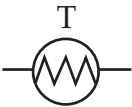
Electrical Symbols

COMPONENT	SYMBOL
RELAY WITH TRANSFER CONTACTS	
THERMAL OPERATION RELAY WITH NORMALLY OPEN CONTACTS	
THERMAL OPERATION RELAY WITH NORMALLY CLOSED CONTACTS	
RESISTOR FIXED	
VARIABLE	
SWITCHES SINGLE-POLE-SINGLE THROW (SPST)	
SINGLE-POLE-DOUBLE THROW (SPDT)	
DOUBLE-POLE-SINGLE THROW (DPST)	
DOUBLE-POLE-DOUBLE THROW (DPDT)	
PUSH BUTTON MOMENTARY NORMALLY CLOSED (PBNC)	
PUSH BUTTON MOMENTARY NORMALLY OPEN (PBNO)	

Electrical Symbols

COMPONENT	SYMBOL
ROTARY	
FLOW - ACTUATED SWITCH-CLOSES ON INCREASE IN FLOW	
FLOW - ACTUATED SWITCH-OPEN ON INCREASE IN FLOW	
PRESSURE (P) - OR VACUUM (V) ACTUATED SWITCH, CLOSES ON RISING PRESSURE	
PRESSURE (P) - OR VACUUM (V) ACTUATED SWITCH, OPENS ON RISING PRESSURE -	
TEMPERATURE - ACTUATED SWITCH CLOSES ON RISING TEMPERATURE	
TEMPERATURE - ACTUATED SWITCH OPENS ON RISING TEMPERATURE	
OPEN SWITCH WITH TIME - DELAY CLOSING (TDC) FEATURE	
CLOSED SWITCH WITH TIME - DELAY OPENING (TDO) FEATURE	

Electrical Symbols

COMPONENT	SYMBOL
TERMINAL	
TRANSFORMER, IRON CORE	
THERMISTOR	
V - VOLTMETER	