

Civil Drawing – Plan and Elevation

- | Civil drawing

 - | Plan

 - | Elevation

 - | Walls, Beams, Columns, Doors, Windows etc..

 - | Scaling

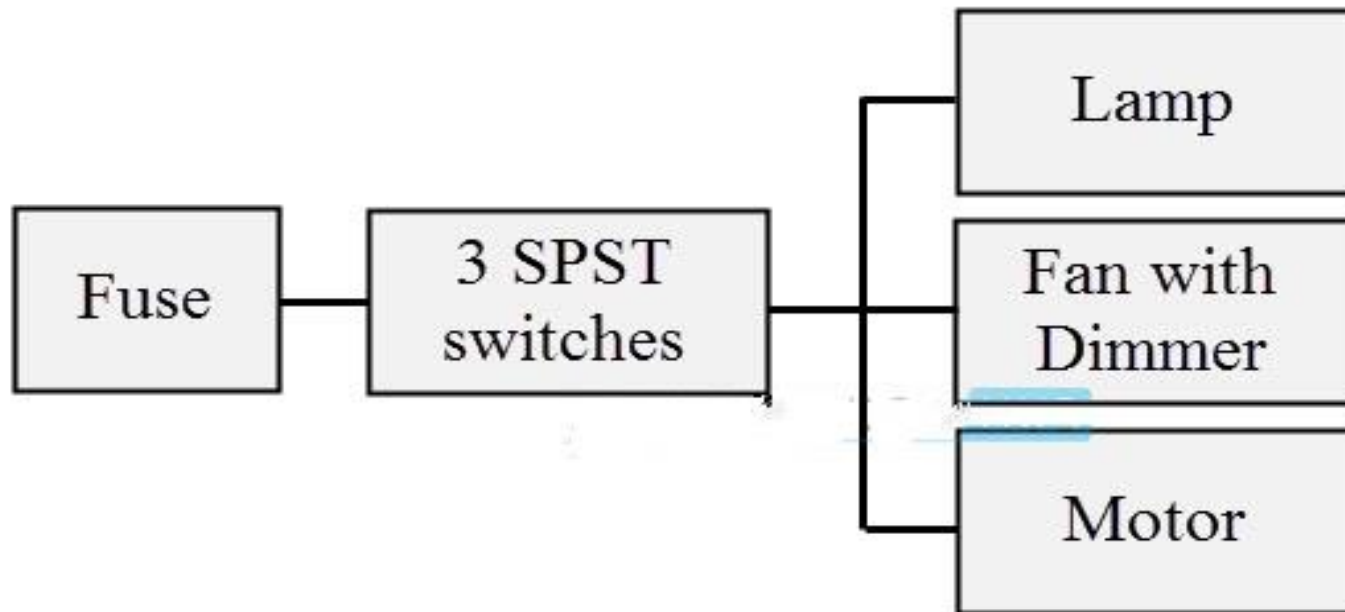
- | Electrical Drawing

 - | Basic Symbols

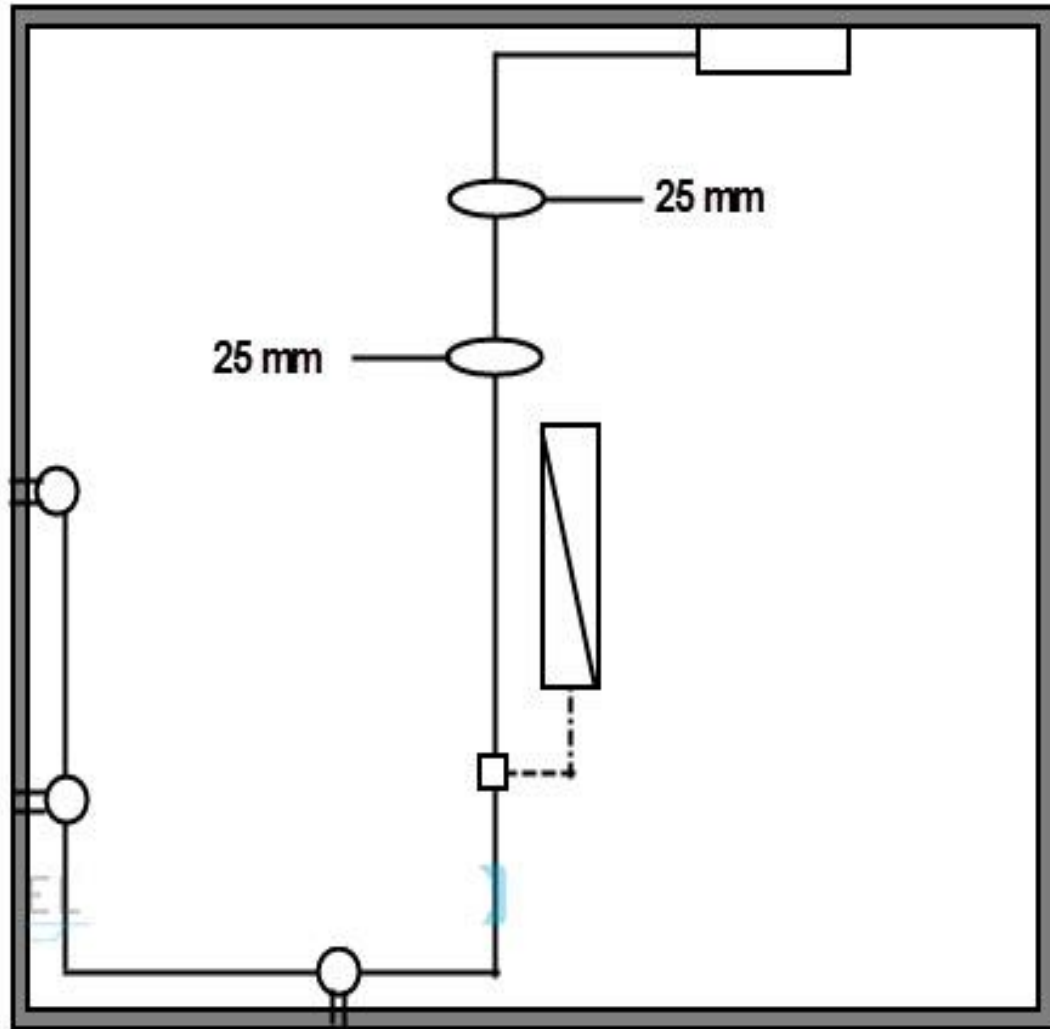
 - | 3-phase and 1-phase wiring diagrams



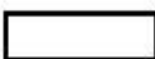

 - | Substation layout

Block Diagram

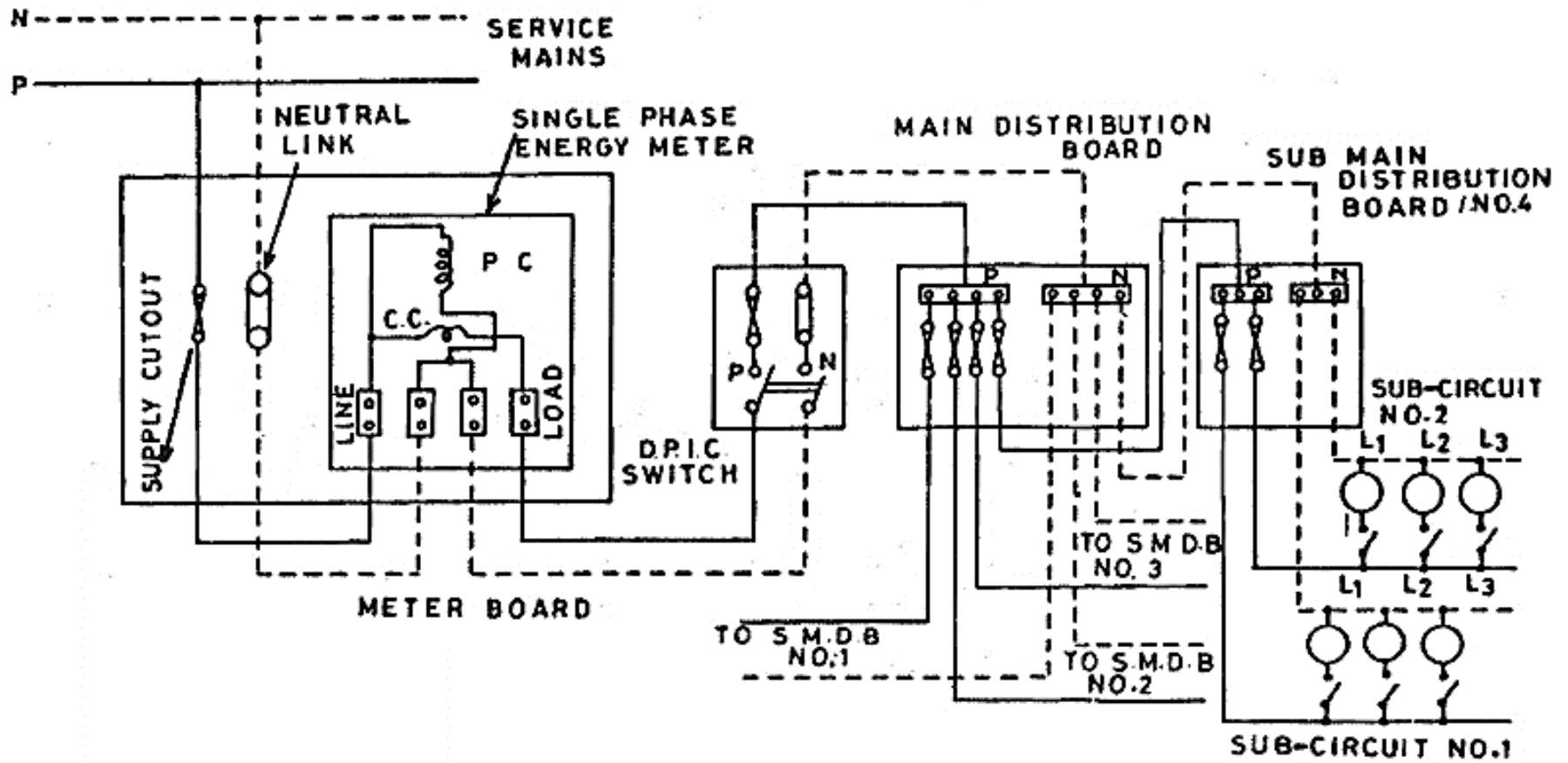


Schematic Diagram



-  Duplex Receptacle
-  Fluorescent Lamp
-  Electrical Panel
-  Junction Box

Wiring Diagram



- | Draw a schematic diagram for two rooms having 2 LEDs, 1 ceiling fan, 1 circuit board (switch board) and 1 split each. These rooms are connected to a sub main distribution board then to a main switch then to a 3-phase main distribution board.
- | Draw a wiring diagram for two rooms having 2 LEDs, 1 ceiling fan, 1 circuit board (switch board) and 1 split each. These rooms are connected to a sub main distribution board then to a main switch then to a 3-phase main distribution board.