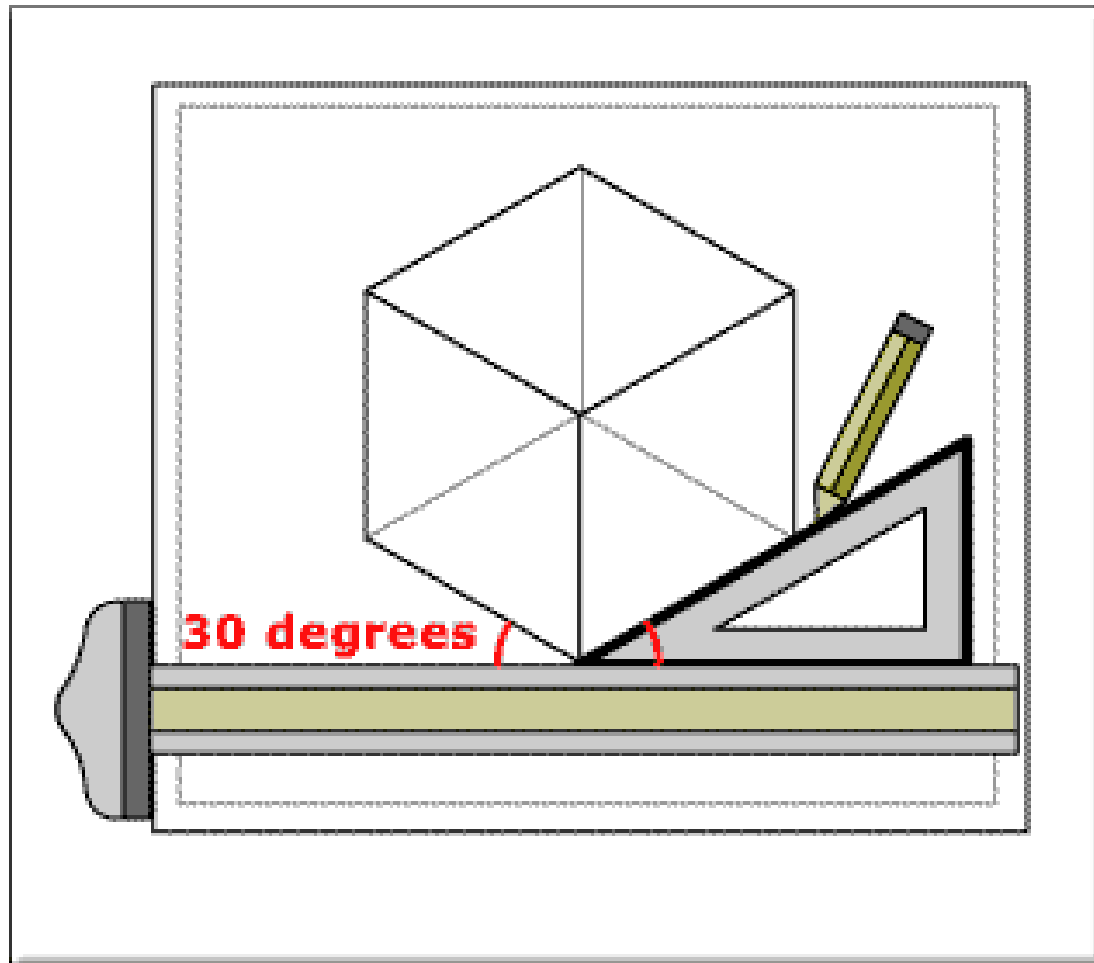


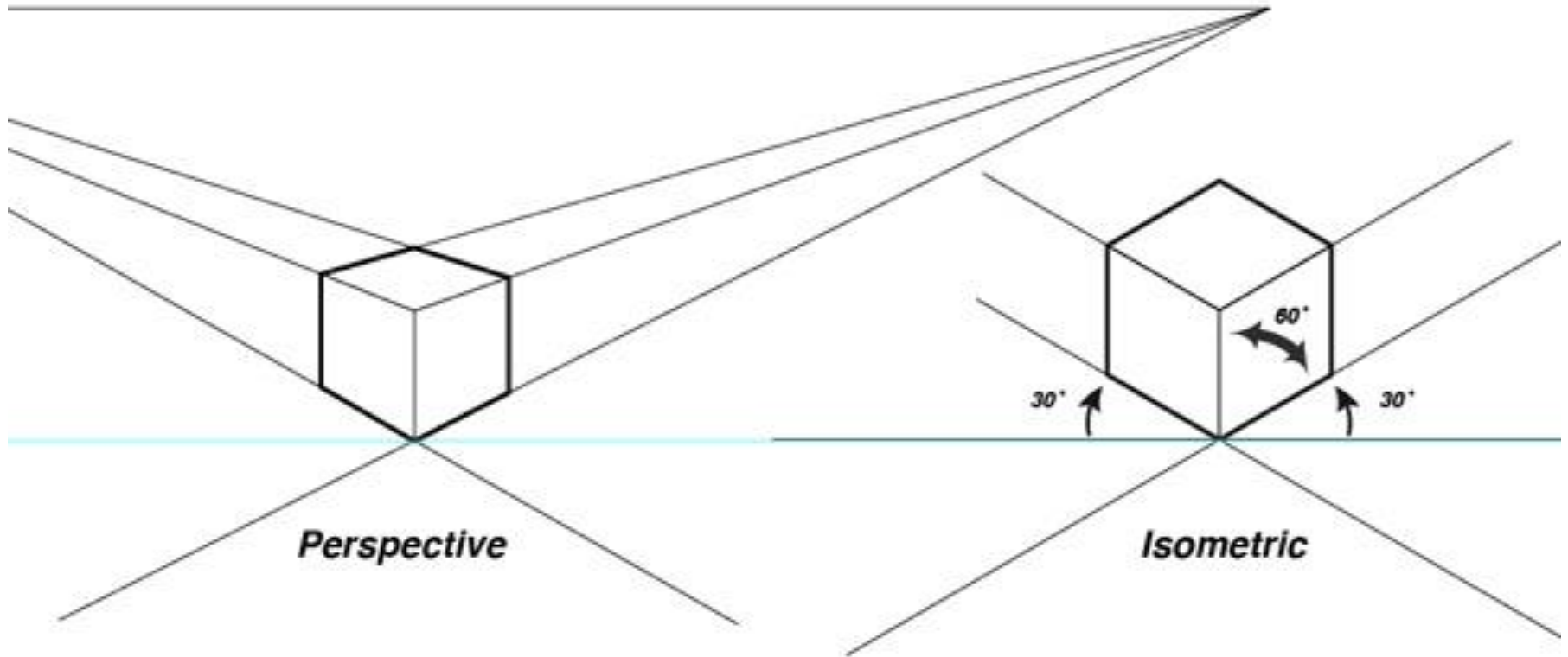
# **Isometric View**

# Isometric View

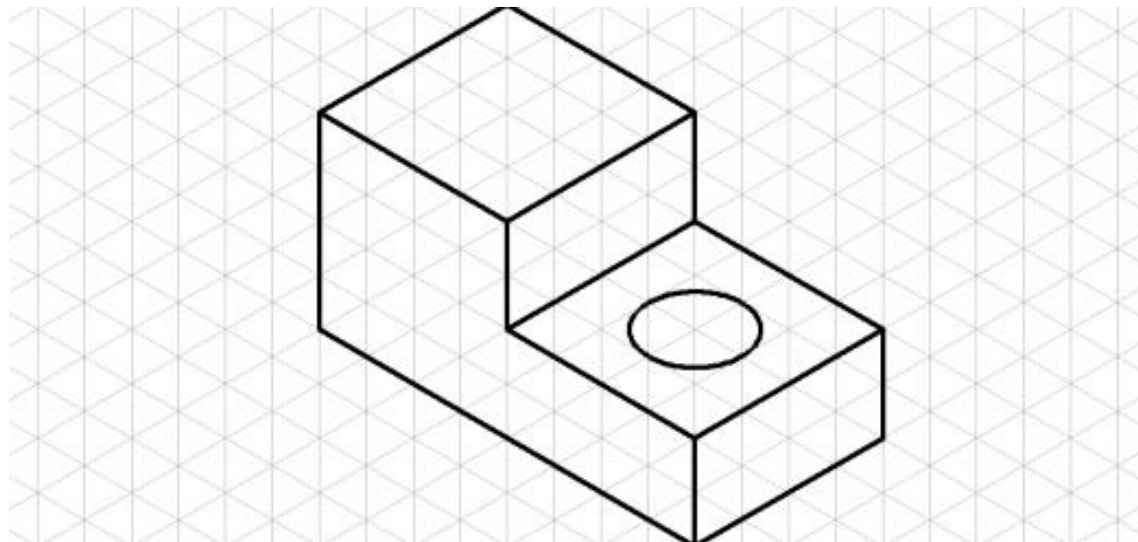
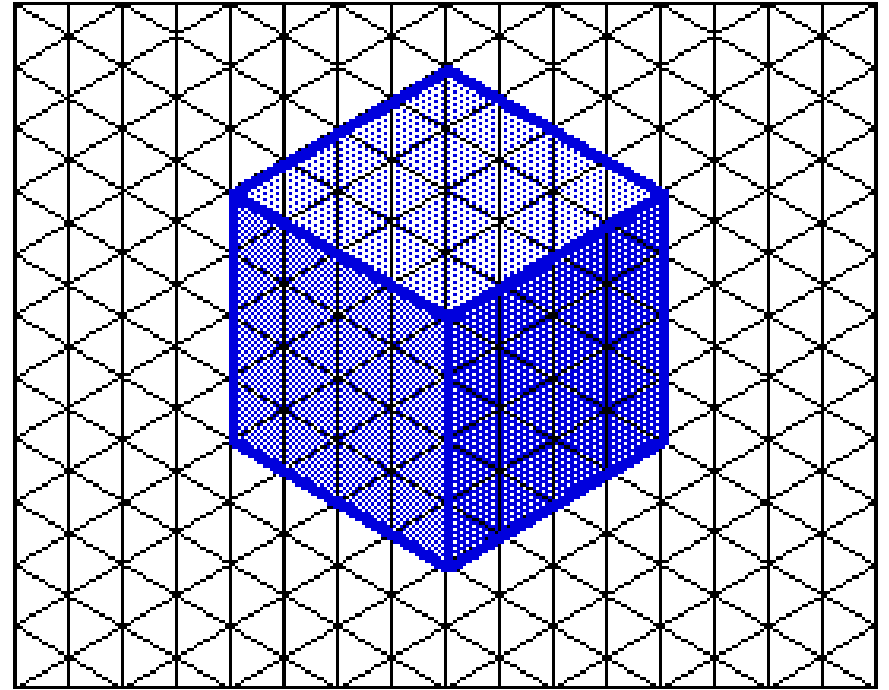
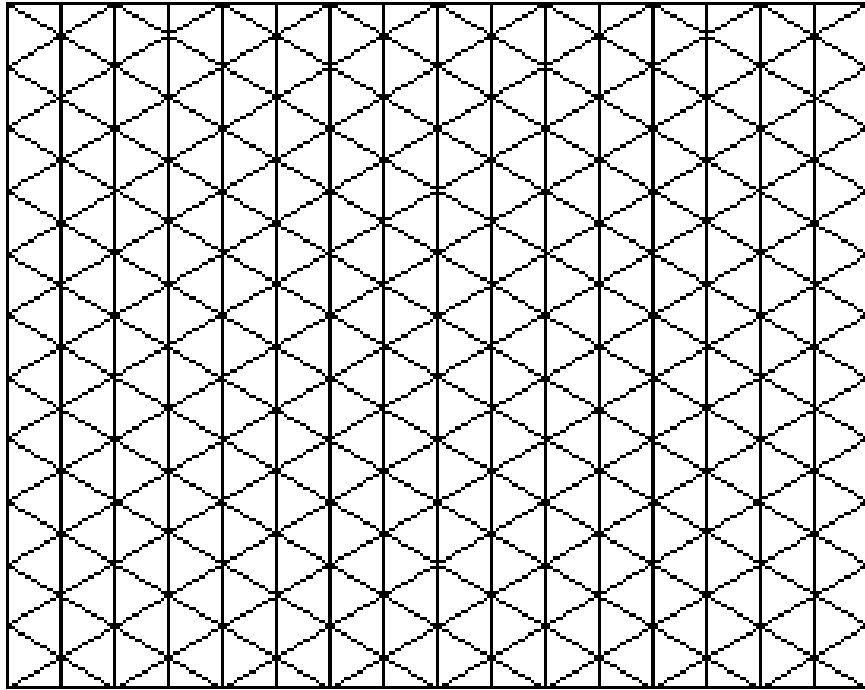
- | A type of pictorial projection in which the three dimensions of a 3D solid are not only shown in one view, but their actual sizes can be measured directly from it.



# Isometric vs Perspective View



# Isometric Graph



ISOMETRIC DRAWING  
**TUTORIAL**

---

A basic cube

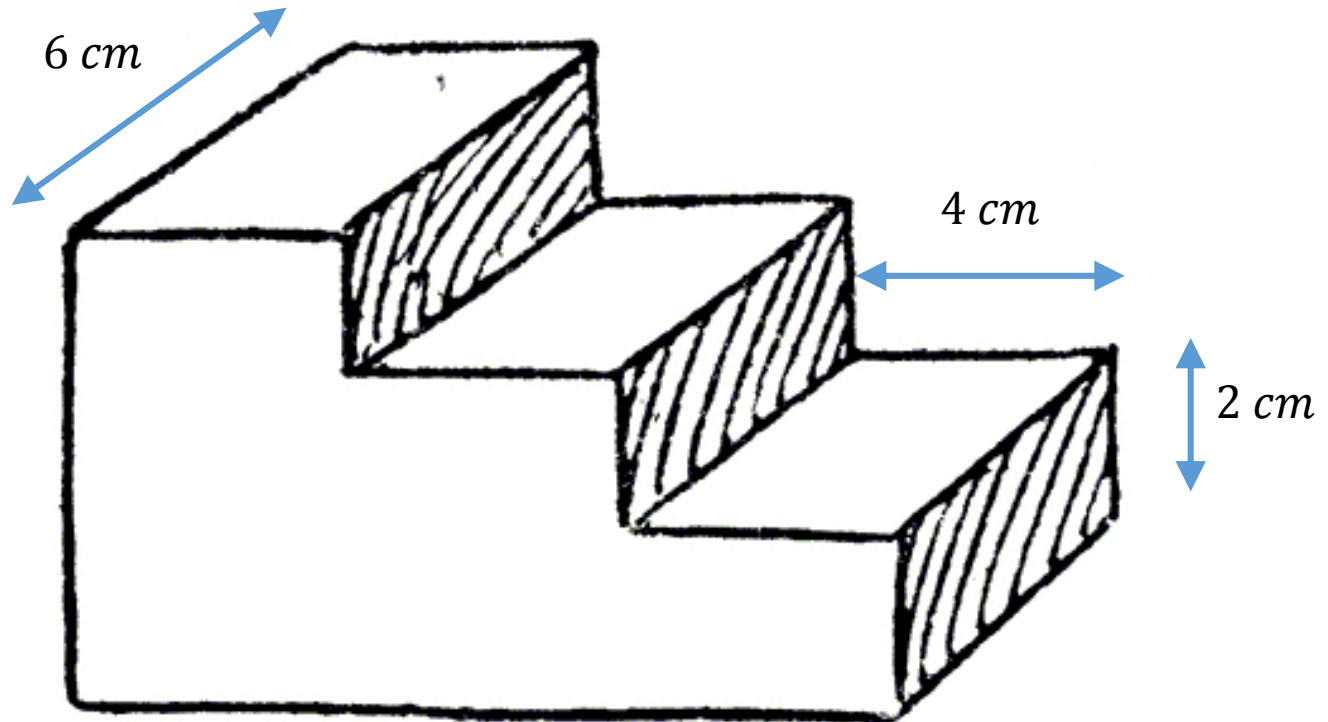
1



| Explain the process of drafting isometric view, how is it different from orthographic projection ?

# Practice Drawing

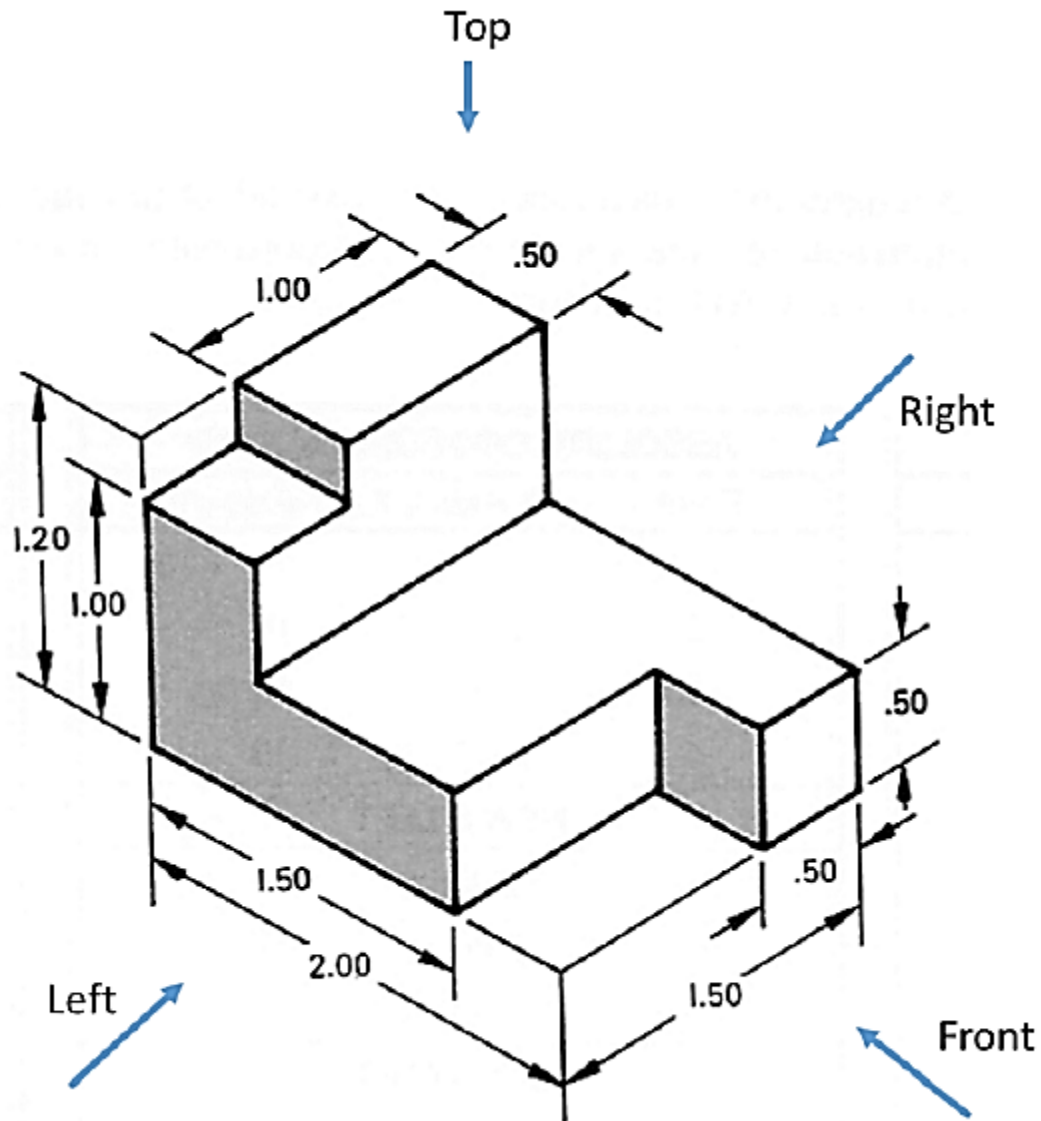
| Draw an isometric view of the following object





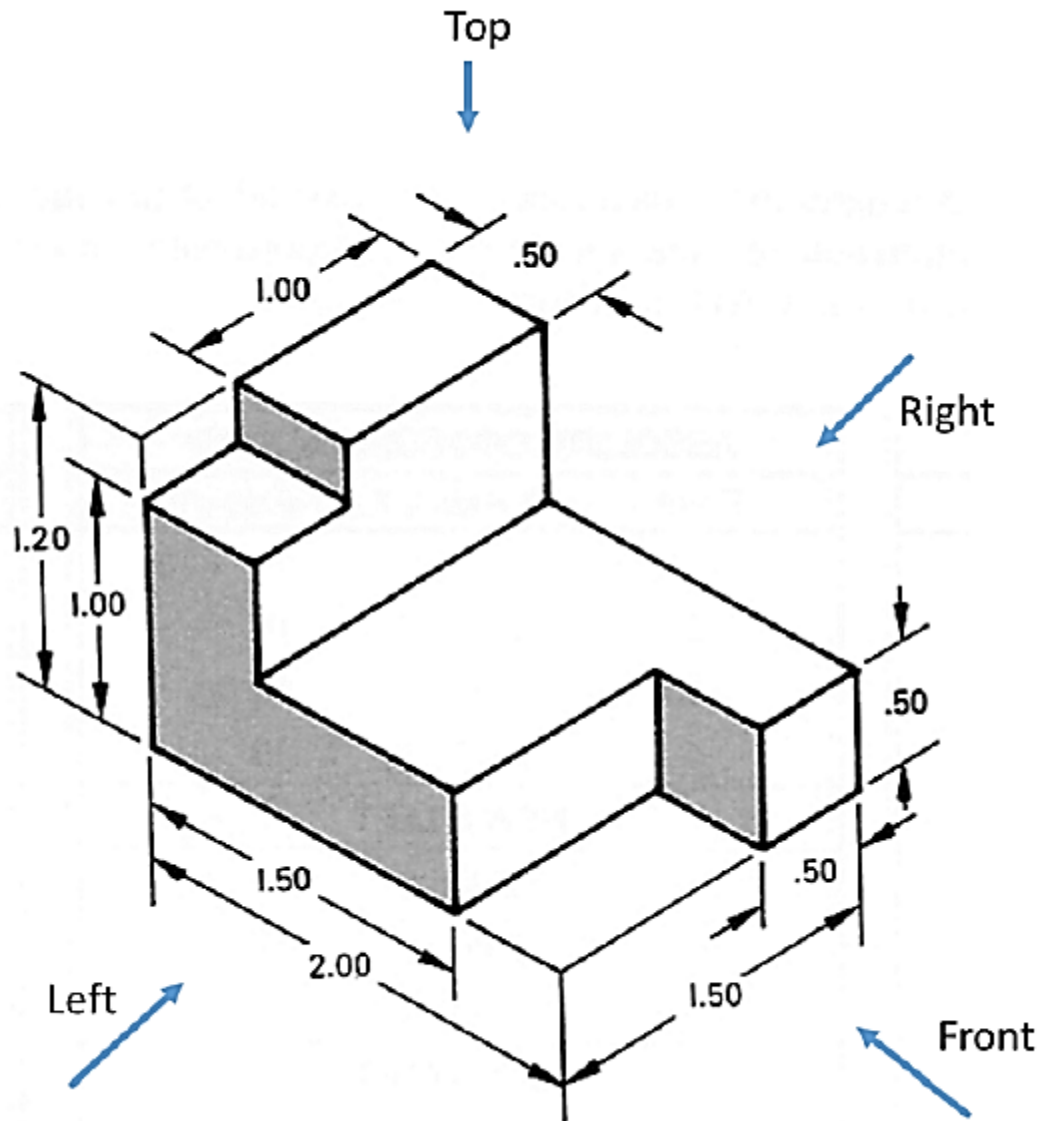
# Practice Drawing

| Draw an isometric view of the following object



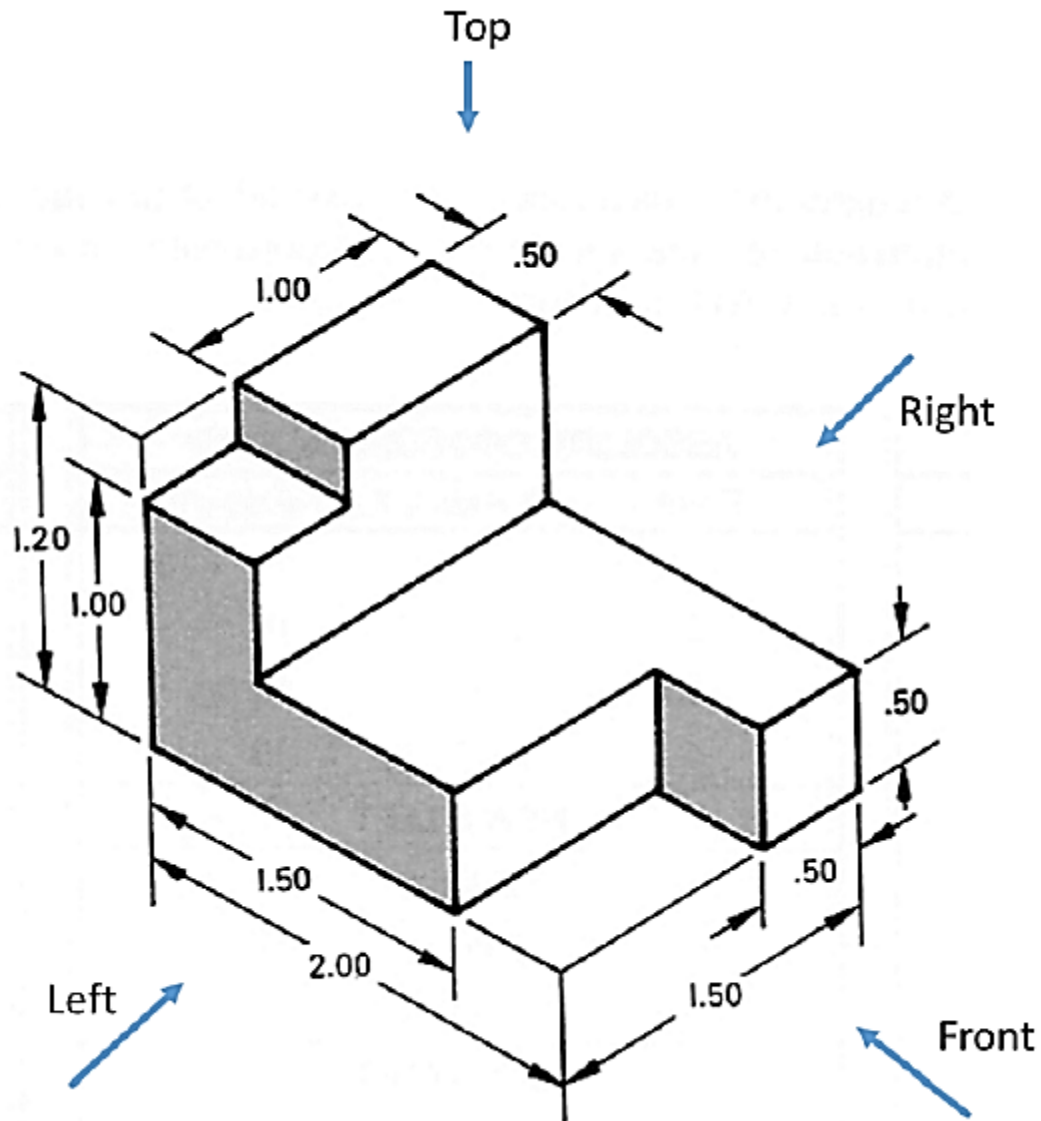
# Practice Drawing

| Draw an isometric view of the following object



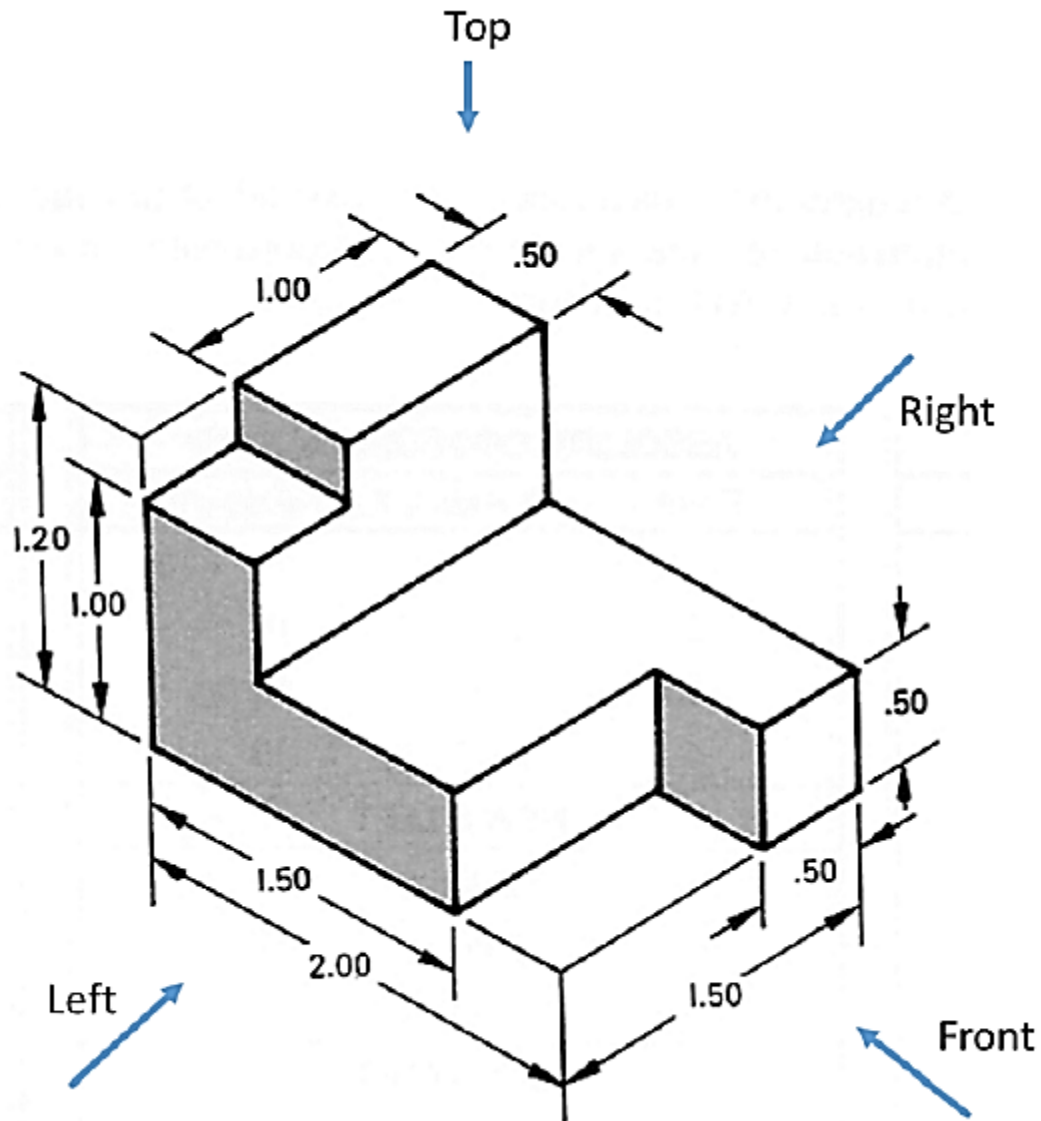
# Practice Drawing

| Draw an isometric view of the following object



# Practice Drawing

| Draw an isometric view of the following object



# Conclusion